

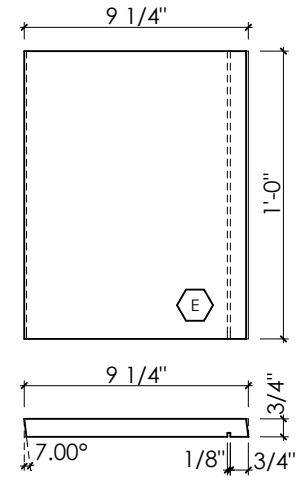
LEWIS'S WOODPECKER BIRD HOUSE PLANS

NOTES:

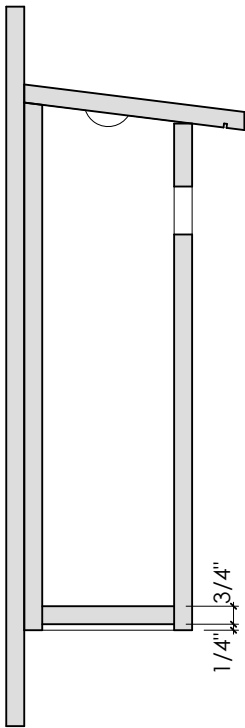
- USE [BRECKENRIDGE] SIDING OR CEDAR
- ALL SCREWS SHOULD BE GALVANIZED, 1 5/8" LONG.
- GALVANIZED NAILS MAY BE USED IN LIEU OF SCREWS, BUT SCREWS ARE RECOMMENDED.
- WOOD DOES NOT NEED TO BE FINISHED, BUT A NON-CAUSTIC PAINT OR FINISH IS RECOMMENDED.
- ATTACH BARK TO FRONT FACE (ONLY) OF BIRD HOUSE WITH GORILLA GLUE AND STAPLES OR FINISH NAILS.

TOOLS REQUIRED:

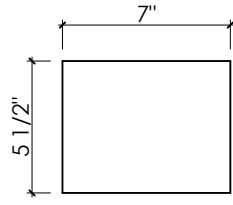
- CIRCULAR SAW / HAND SAW
- TABLE SAW (IF AVAILABLE)
- DRILL WITH 2" HOLE SAW BIT
- PNEUMATIC STAPLER OR FINISH NAILER (HAMMER AND NAILS WILL SUFFICE)



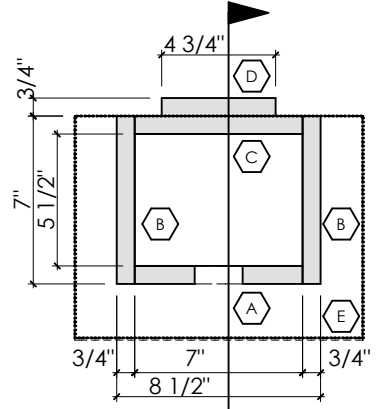
TOP BOARD



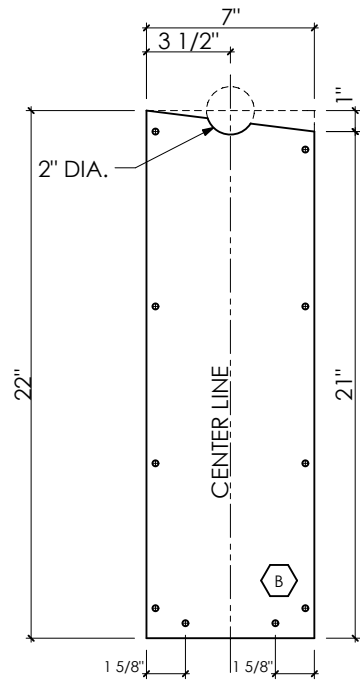
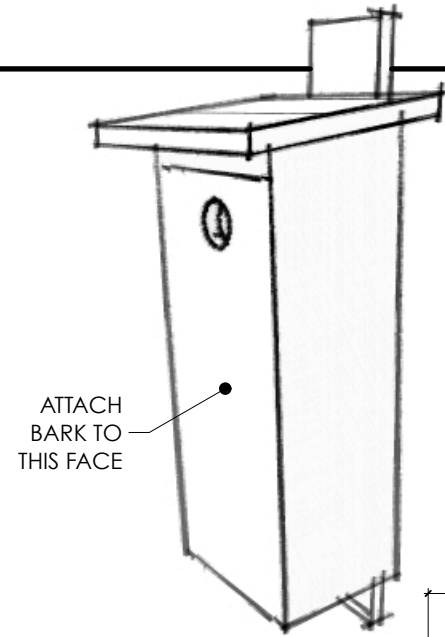
SECTION



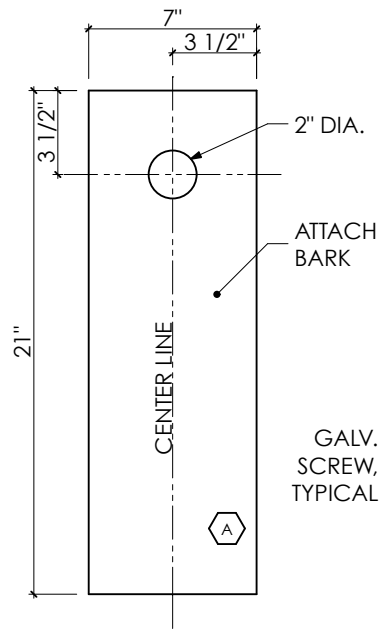
BOTTOM BOARD



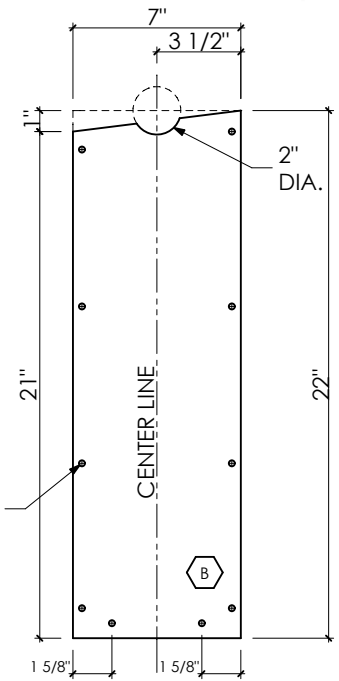
PLAN LAYOUT



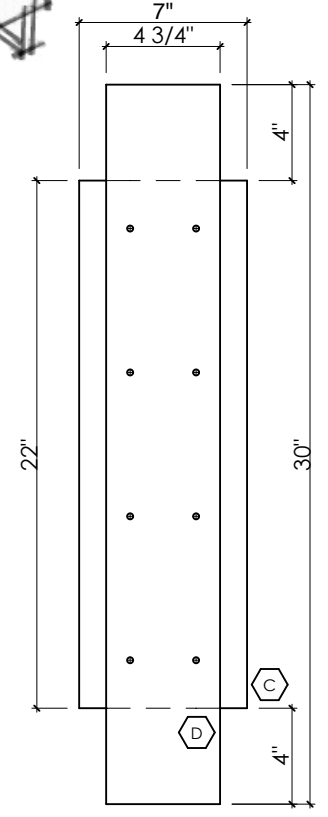
SIDE BOARD



FRONT BOARD



SIDE BOARD



BACK BOARDS